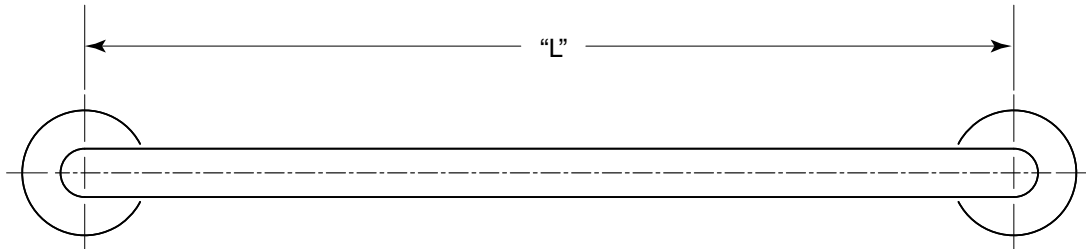




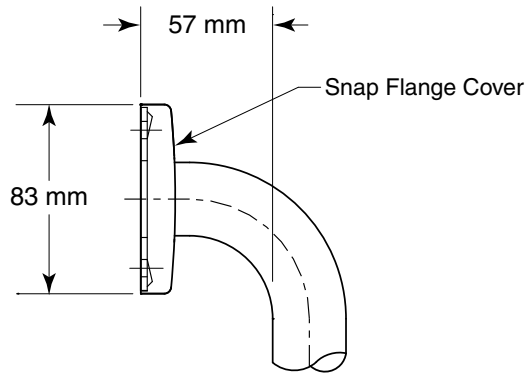
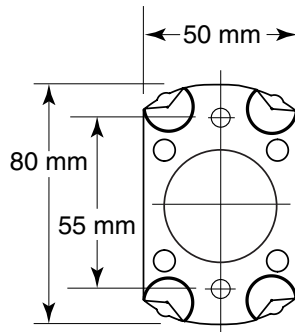
Technical Data

**32 mm DIAMETER
STAINLESS STEEL
GRAB BARS
WITH SNAP FLANGE**

**819440.UK-
819441.UK**
United Kingdom Only
Not for sale in the U.S. or Canada



End Mounting Flange



Model	"L"
819440.UK	450 mm
819441.UK	600 mm

continued . . .

MATERIALS:

Grab Bar — 18-8, Type-304, 1.2 mm (18-gauge) stainless steel tubing with reappplied finish. 32 mm outside diameter. Ends are heliarc welded to concealed mounting flanges. Clearance between the grab bar and wall is 57 mm.

Concealed Mounting Flanges — 18-8, Type-304, 3 mm thick, stainless steel plate; end flanges 80 mm diameter with six holes for attachment to wall.

Snap Flange Covers — 18-8, Type-304, 0.8 mm (22-gauge) drawn stainless steel with satin finish. 83 mm diameter x 16 mm deep. Each cover snaps over mounting flange to conceal mounting screws.

STRENGTH:

Grab bar configurations can support loads in excess of 113kg (1108N) if properly installed.

Warning: *Grab bars are no stronger than the anchors or walls to which they are attached and, therefore, must be firmly secured in order to support the loads for which they are intended.*

INSTALLATION:

Provide concealed anchor device or backing as specified or required in accordance with local building codes before wall is finished. Fasten concealed mounting flanges to anchor device or backing with at least two screws in each flange. Snap flange covers over each mounting flange to conceal mounting screws. Concealed anchor devices and mounting screws are not included with Bobrick grab bars and must be specified as an accessory.

Note: Available for sale only in the UK.

Important Notes:

1. **Mounting Kits** — Bobrick offers a mounting kit for installing grab bars; **one Bobrick mounting kit is required for each flange.**

Mounting Kit No.	Description
252-30	Consists of (3) #14 x 2½" type-304 stainless steel, Phillips round-head, sheet-metal screws.

2. **Grab Bar Fastener** — Bobrick offers a grab bar fastening system that secures all Bobrick grab bar series; **one Bobrick fastener is required for each flange.** Install grab bar without backing in wall requires minimum 6 mm thick painted or tiled drywall.

WingIt™ Fastener No.	Description
251-4	Consists of (10) 32 x 5/16" round-head, Phillips 18/8 stainless steel screws. (1) WingIt grab bar fastener.

3. **Optional Anchor Device** — Bobrick grab bar anchor device includes stainless steel machine screws to be used for attaching grab bars to anchors. **one Bobrick concealed anchor device is required for each flange.**

Optional Anchor No.	Description
2583	Anchor for 3/4" to 1" (19-25 mm) panel 1 anchor required for each flange.
2586	Anchor for 1/2" to 1" (13-25 mm) panel 1 anchor required for each flange.

SPECIFICATION:

Grab bar shall be Type-304 stainless steel with reappplied finish. Grab bar shall have 1.2 mm (18-gauge) wall thickness and 32 mm outside diameter. Clearance between the grab bar and wall shall be 57 mm. Concealed mounting flanges shall be 3 mm thick stainless steel plate, 80 mm diameter, and equipped with six screw holes for attachment to wall. Flange covers shall be 0.8 mm (22-gauge) stainless steel, 85 mm diameter, and shall snap over mounting flanges to conceal mounting screws and/or WingIt fasteners. Ends of grab bar shall pass through concealed mounting flanges and be heliarc welded to form one structural unit.

Grab Bar shall be Model _____ (insert model number) of Bobrick Washroom Equipment, Inc., Clifton Park, New York; Jackson, Tennessee; and Los Angeles, California; Bobrick Washroom Equipment Company, Scarborough, Ontario; Bobrick Washroom Equipment Pty. Ltd., Australia; and Bobrick Washroom Equipment Limited, United Kingdom.